

19, 23, 24

No. 2053  
ATA Code 28-20

**SUBJECT:** FUEL SYSTEM - ADDITION OF A DECAL AND A FUEL SELECTOR STOP TO THE FUEL SELECTOR VALVE GUARD

**EFFECTIVITY:** BEECHCRAFT A23-19, 19A, M19A and B19, serials MB-1 through MB-520;  
B19 Sport 150, serials MB-521 through MB-905;  
23, A23, A23A, B23 and C23, serials M-1 through M-1361;  
C23 Sundowner 180, serials M-1362 through M-2223;  
A23-24 and A24, serials MA-1 through MA-368;  
A24R, serials MC-2 through MC-95;  
A24R, B24R and C24R, Sierra 200, serials MC-96 through MC-688, MC-690 through MC-695.

**REASON:** To minimize the possibility of inadvertently turning the fuel selector valve to the OFF detent position.

**COMPLIANCE:** Beech Aircraft Corporation considers this to be a mandatory modification and it should be accomplished as soon as possible after receipt of this Service Bulletin, but no later than the next scheduled inspection.

This Service Bulletin supersedes and cancels Service Instructions No. 1095, Rev. I.

Areas which have changed, other than reformatting to Service Bulletin format, include; Serial-ization in EFFECTIVITY and PUBLICATIONS AFFECTED.

An Airworthiness Directive has been requested on this matter.

**APPROVAL:** Engineering data contained in this Service Bulletin is FAA approved.

**MANPOWER:** The following information is for planning purposes only:

Estimated man-hours: 3 hours.

Suggested number of men: 1 man.

The above is an estimate based on experienced personnel complying with this Service Bulletin. Occasionally, after work has started, conditions may be found which could result in additional man-hours.

**MATERIAL:** The following parts required for this modification may be ordered through BEECHCRAFT Aero or Aviation Centers and International Distributors and Dealers. The value of the parts required to incorporate this Service Bulletin on one airplane is to be advised. Prices, when issued, will be subject to change without notice.

AW-1201 M

Issued: February, 1985

1 of 6

Beech Aircraft Corporation issues service information for the benefit of owners and fixed base operators in the form of two classes of Service Bulletins. Mandatory (Red Border) Service Bulletins are changes, inspections and modifications that could affect safety. The factory considers compliance with these Service Bulletins mandatory. OPTIONAL (No Border) Service Bulletins cover changes, modifications, improvements or inspections the factory feels will benefit the owner and although highly recommended, they are not considered mandatory compliance at the time of issuance, unless so stated in the publication. Due to the wide range of information covered by the OPTIONAL Service Bulletin, each owner/operator is responsible for conducting a thorough review of each Optional Service Bulletin and determine if compliance is required based on the applicability of the OPTIONAL Service Bulletin to his particular set of operating conditions. Both classes are mailed to:

- (a) BEECHCRAFT Authorized Outlets.
- (b) Owners of record on the FAA Aircraft Registration Branch List and the BEECHCRAFT International Owner Notification Service List.

- (c) Those having a publications subscription.

Information on Owner Notification Service or Subscriptions can be obtained through any BEECHCRAFT Authorized Outlet. As Service Bulletins are issued, temporary notification in the Service Bulletin Master Index should be made until the index is revised. Warranty will be allowed only when specifically defined in the Service Bulletin and in accordance with the Beech Aircraft Corporation Warranty Policy.

Unless otherwise designated, Beech Aircraft Corporation Service Bulletins as well as BEECHCRAFT kits are approved for installation on BEECHCRAFT airplanes in original or BEECHCRAFT modified configurations only. BEECHCRAFT Service Bulletins and Kits may not be compatible with airplanes modified by STC installations or modifications other than BEECHCRAFT Approved kits.

**Service Bulletin No. 2053**

Airplanes listed below which have complied with Service Instructions No. 0624-281 (increased unusable fuel) will require the following:

<b>MODEL</b>	<b>AIRPLANE SERIAL</b>	<b>DESCRIPTION</b>	<b>PART NUMBER</b>	<b>QUANTITY</b>
A23-19, 19A, M19A B19, 23, B23, C23 A23-24, A24, A24R, B24R.	MB-1 thru MB-654; M-1, M-4 thru M-554 and M-1095 thru M-1516; MA-1 thru MA-368; MC-2 thru MC-180.	Decal	169-920039-3	1 req.
A23 and A23A	M-3, M-555 thru M-1094.	Decal	169-920036-3	1 req.

Airplanes listed below which have not complied with Service Instructions No. 0624-281 (increased unusable fuel) will require the following:

<b>MODEL</b>	<b>AIRPLANE SERIAL</b>	<b>DESCRIPTION</b>	<b>PART NUMBER</b>	<b>QUANTITY</b>
A23-19, 19A, M19A, B19, 23, B23, C23 A23-24, A24, A24R	MB-1 thru MB-616; M-1, M-4 thru M-554 and M-1095 thru M-1485; MA-1 thru MA-368; MC-2 thru MC-150.	Decal	169-920037-3	1 req.
A23 and A23A	M-3, M-555 thru M-1094.	Decal	169-920038-3	1 req.

Airplanes listed below will require the following:

<b>MODEL</b>	<b>AIRPLANE SERIAL</b>	<b>DESCRIPTION</b>	<b>PART NUMBER</b>	<b>QUANTITY</b>
B19, C23, B24R	MB-655 thru MB-813, MB-815 and MB-816; M-1517 thru M-1874 and M-1876 thru M-1879; MC-181 thru MC-448, MC-450 and MC-451.	Decal	169-920039-3	1 req.

Airplanes listed below will require the following:

<b>MODEL</b>	<b>AIRPLANE SERIAL</b>	<b>DESCRIPTION</b>	<b>PART NUMBER</b>	<b>QUANTITY</b>
B19, C23, C24R	MB-814, MB-817 thru MB-905; M-1875, M-1880 thru M-2223; MC-449, MC-452 thru MC-688, MC-690 thru MC-695.	Decal	169-920040-3	1 req.
All of the above airplanes		Selector Stop	169-920041-9	1 req.
All of the above airplanes		Screw	AN550-8R6	3 req.

**WARRANTY:** Warranty credit for parts and labor to the extent noted under MATERIAL and MANPOWER will be allowed on all affected airplanes which are within warranty at the time this Service Bulletin is released.

Warranty credit for parts to the extent noted under MATERIAL will be allowed on all other affected airplanes.

All warranty reimbursements are handled through franchised BEECHCRAFT Aero or Aviation Centers and International Distributors and Dealers. Owners and operators should arrange with these outlets to perform the work and have them submit the standard Beech Aircraft Corporation warranty claim form through BEECHCRAFT Parts and Equipment Marketing Wholesalers or International Distributors.

**SPECIAL TOOLS:** None.

**WEIGHT AND BALANCE:** None.

**REFERENCES:** FAA Airworthiness Directive 75-01-04, Amendment 39-2062 or subsequent;  
BEECHCRAFT Service Instructions No. 0364-289, Rev. III or subsequent;  
BEECHCRAFT Service Instructions No. 0624-281 or subsequent;

**PUBLICATIONS AFFECTED:** It is recommended that a note to "See Service Bulletin No. 2053" be made in the following:  
19, 23 and 24 Parts Catalog copies, P/N 169-590012L or subsequent, Figures 281, 281A, 281B and 281C;  
19, 23 and 24 Parts Catalog copies, P/N 169-590026C or subsequent, Figures 281, 281A, and 281B.

**NOTE**

A note should be made in the appropriate sections of the applicable Pilot's Operating Handbook and FAA Approved Airplane Flight Manual in reference to the material which is contained in this Service Bulletin.

**ACCOMPLISHMENT INSTRUCTIONS:** This Service Bulletin may be accomplished as follows:

3. Install the appropriate pressure sensitive decal, as determined from Figure 1 and from the MATERIAL section, to the fuel selector valve guard.

**NOTE**

Ensure that Airworthiness Directive 75-01-04, Amendment 39-2062 or subsequent and Service Instructions No. 0364-289, Rev. III or subsequent have been complied with on applicable airplanes.

**NOTE**

Markings on the decal should line up with existing markings on the guard as closely as possible.

1. Remove the fuel selector valve handle and the fuel selector valve guard.

2. Inspect the fuel selector valve guard for the correct placard. Placard instructions, if any, and usable fuel amounts should match one of the decals shown in Figure 1. Refer to MATERIAL section.

4. Replace the fuel selector valve handle and turn the handle to one of the "OFF" detents. Refer to Figure 2.

5. Using paint or chalk, place an "X" mark on the carpet directly in line with the fuel selector handle at a distance of 1.34 inches from the center of the screw that secures the fuel selector handle.

6. Move the handle to the other "OFF" detent and make a similar mark.

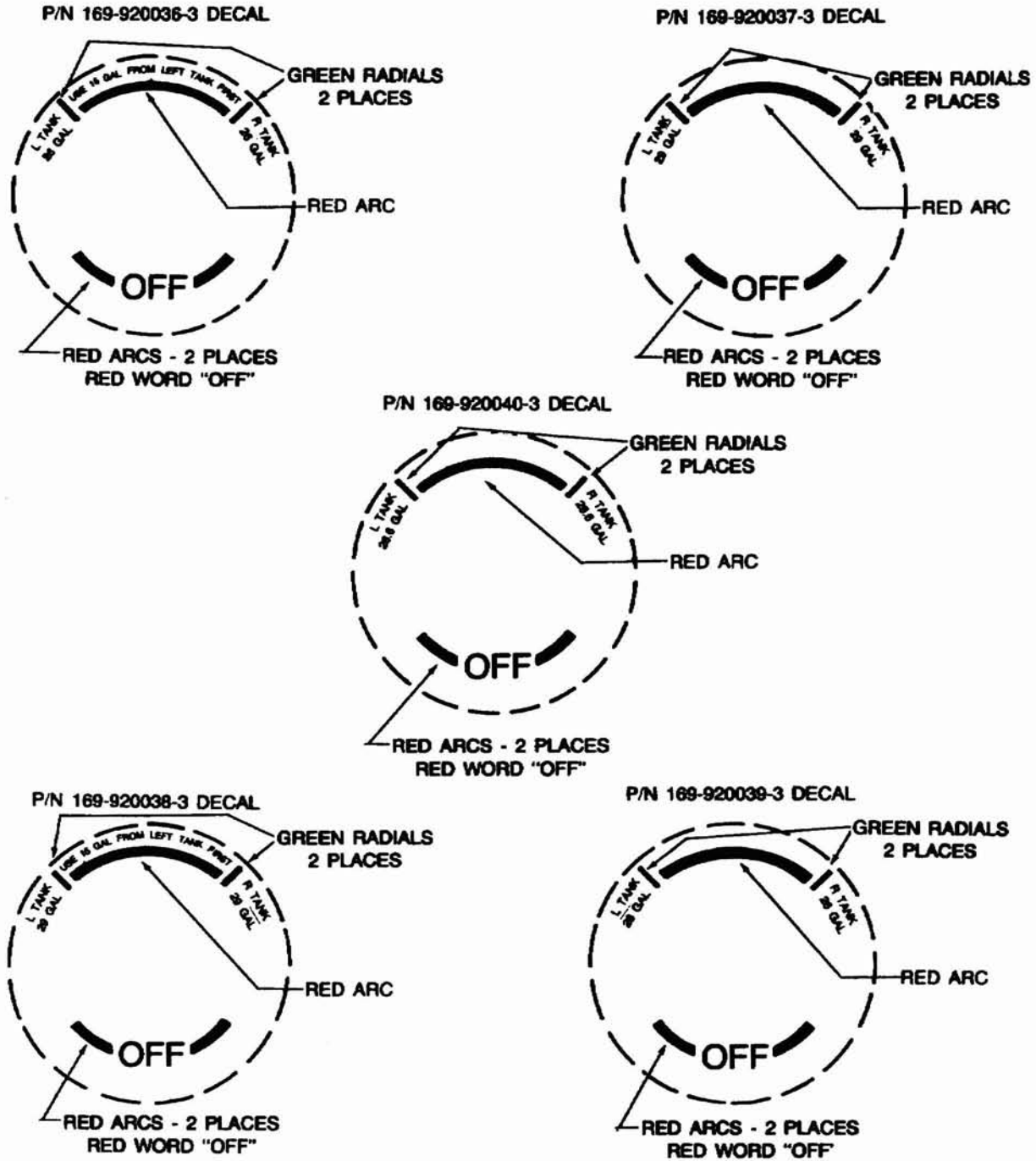


Figure 1

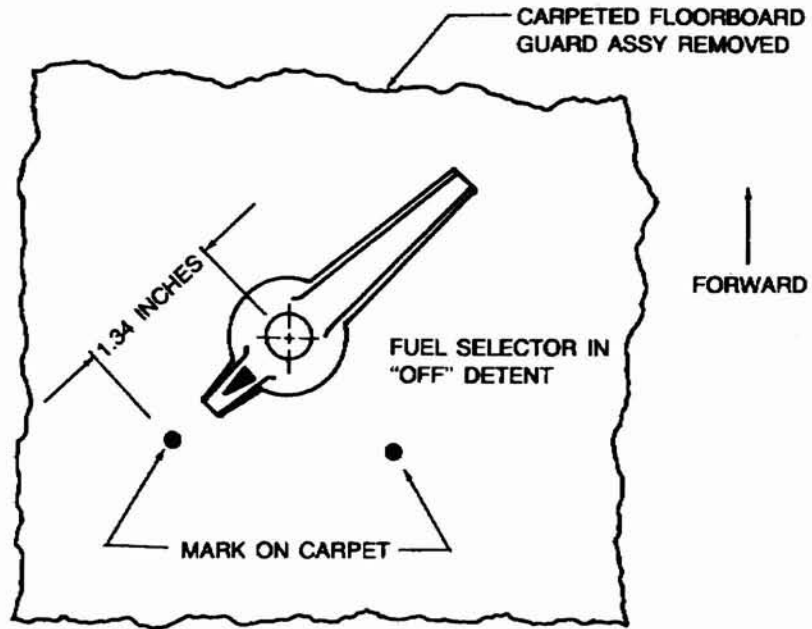


Figure 2

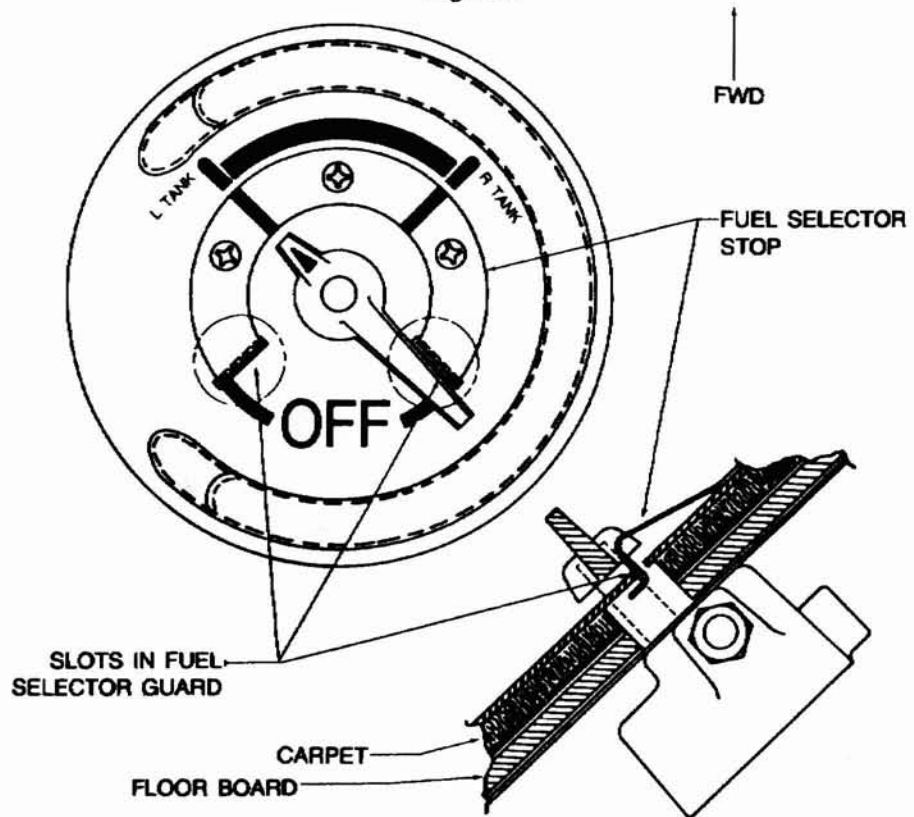


Figure 3

## Service Bulletin No. 2053

7. Remove the fuel selector handle and the carpeted floorboard.

8. Lay the carpeted floor board (carpet side up) on a solid surface. Using a punch or awl, punch a small hole through the mark on the carpet and completely through the plywood floorboard.

9. Using the holes made in Step 8 as a guide, drill 1.24 inch diameter holes through the plywood floorboard from the back side.

10. Trim the carpet away from the holes, so that two 1.25 inch diameter openings exist completely through the carpeted floorboard.

11. Reinstall the carpeted floorboard.

12. Place the fuel selector stop, P/N 169-920041-9, on the fuel selector guard. Center the selector stop on the guard so that the green radials on the selector stop line up with the green radials on the previously applied decal which was installed in Step 2.

13. Mark and cut two slots .20 inch by .90 inch to clear the vertical legs of the selector stop, as shown in Figure 3.

14. Place the fuel selector guard in position on the floorboard, and insert the ends of the selector stop, P/N 169-920041-9 into the slots. The holes previously made in the carpeted floorboard should provide clearance for the ends of the selector stop to move freely up and down.

15. Attach the fuel selector handle, and position the guard and the fuel selector stop so that the green radials on the guard and the fuel selector stop line up with each other and with the index on the fuel selector handle as shown in Figure 3. It may be necessary to trim the nap of the carpet under the flat surface of the guard in order to provide sufficient clearance between the guard and the fuel selector handle.

16. Without allowing the assembly to move, attach the fuel selector stop and the guard to the floorboard using three (3) P/N AN550-8R6 screws.

17. Check for freedom of movement and ensure that the valve goes into the detent in all four positions. Ensure that the fuel selector handle cannot be moved to the "OFF" position without depressing the fuel selector stop.

---

### RECORD

#### COMPLIANCE:

Upon completion of this Service Bulletin, make an appropriate maintenance record entry.