

SUBJECT: ELECTRICAL (COCKPIT), INSPECTION OF THE WIRING TO THE OVERVOLTAGE RELAY

AIRCRAFT AFFECTED: BEECHCRAFT Musketeers, Model A23, A23A, and B23, serials M-555 through M-1104; Model 19 and 19A, serials MB-1 through MB-337; Model 24, serials MA-1 through MA-317.

On BEECHCRAFT Musketeers, models and serials noted above, it is suggested that the wiring to the overvoltage relay be inspected within the next 100 hours to ensure connection to the proper terminals, as shown in figures 1 and 2.

Figure 1 applies to serial numbers M-555 through M-903. Figure 2 applies to serial numbers M-904 through M-1104, MB-1 through MB-337, and MA-1 through MA-317.

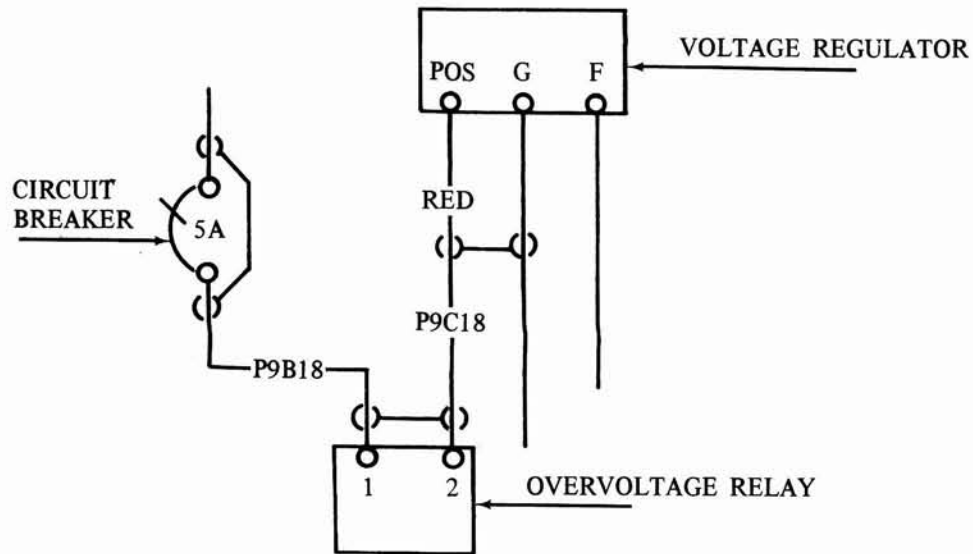


FIGURE 1
SERIALS M-555 THRU M-903

Beech Aircraft Corporation issues service information for the benefit of owners and fixed base operators in the form of three classes of Service Instructions. CLASS I (Red Border) are changes, inspections, and modifications that could affect safety. The factory considers compliance mandatory. CLASS II (Green Border) covers changes, modifications, improvements or inspections the factory feels will benefit the owner and although highly recommended, they are not considered mandatory compliance, unless specified at the time of issuance. Class I and II are mailed to:

- (a) BEECHCRAFT Aero or Aviation Centers and International Distributors and Dealers.
- (b) Owners of record on the FAA Registration list and the

BEECHCRAFT International Owner Notification Service List.
(c) Those having a publications subscription.

CLASS III (No Border) covers changes which are optional, maintenance aids, product improvement kits and miscellaneous service information. Compliance is at the owner or operator's prerogative. Copies of Class III are distributed per a and c above. Information on Owner Notification Service or Subscriptions can be obtained through any BEECHCRAFT Aero or Aviation Center, International Distributor and Dealer, or the Factory. As Service Instructions are issued, temporary notation in the index should be made until the index is revised. Warranty will be allowed only when specifically defined in the Service Instructions and in accordance with Beech Warranty Policy.

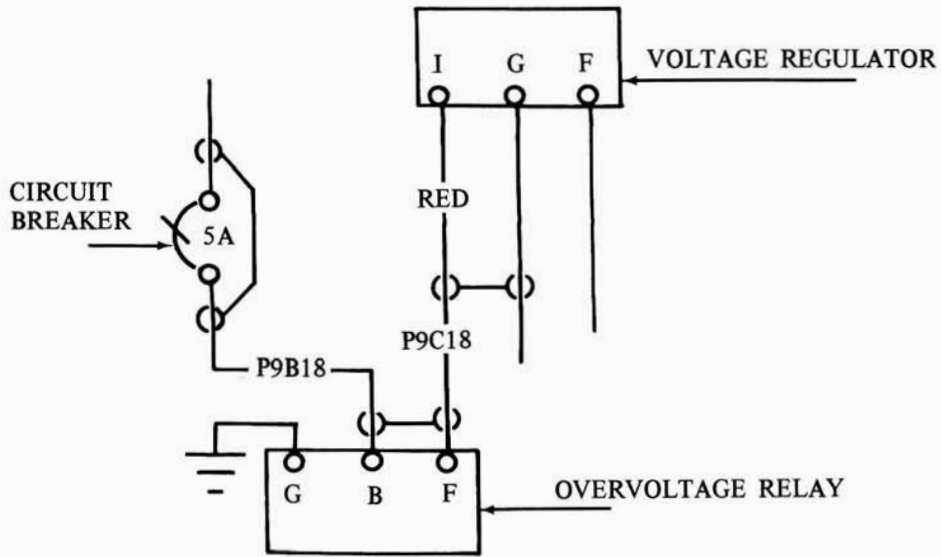


FIGURE 2

SERIALS M-904 THRU M-1104, MB-1
THRU MB-337, AND MA-1 THRU MA-317.